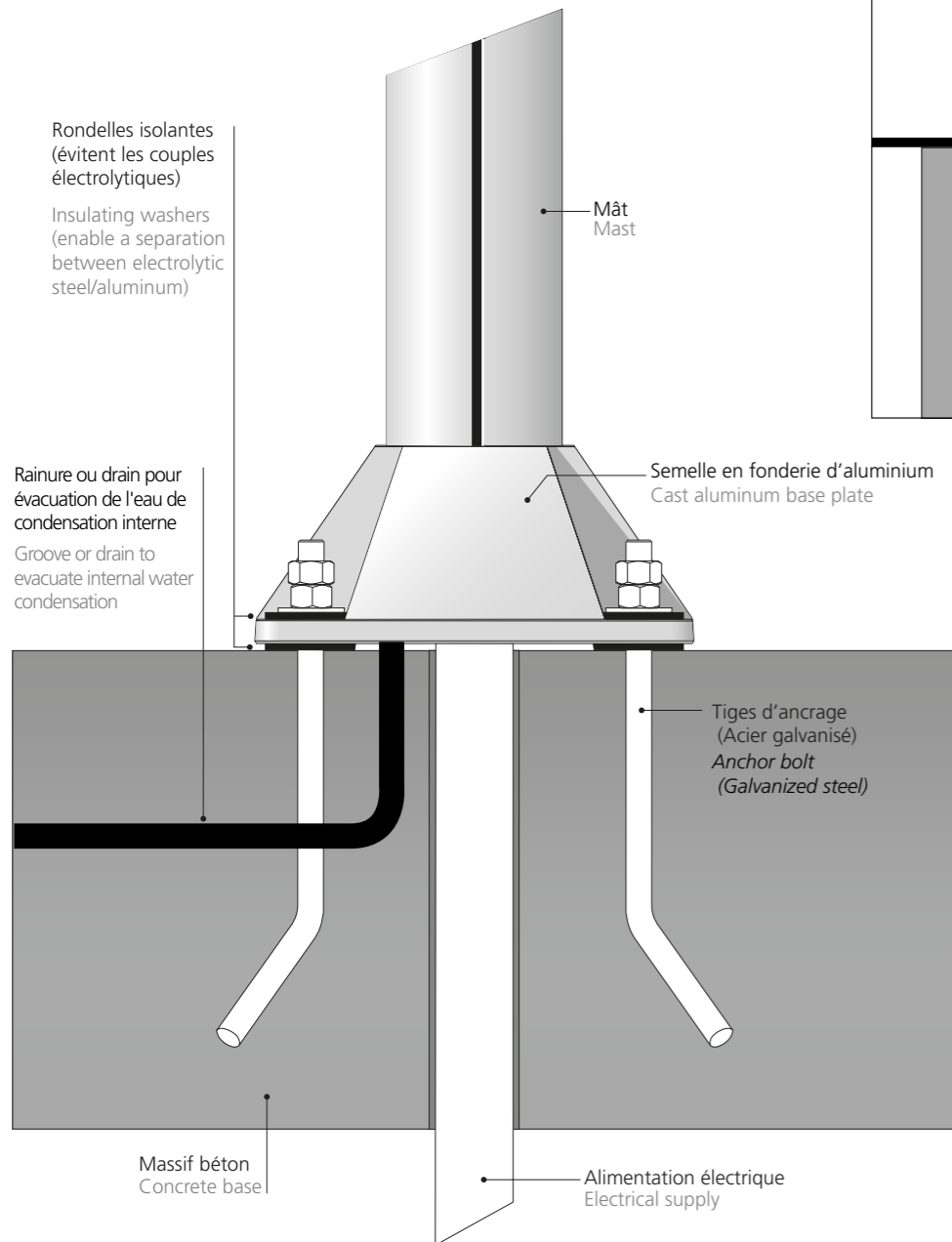


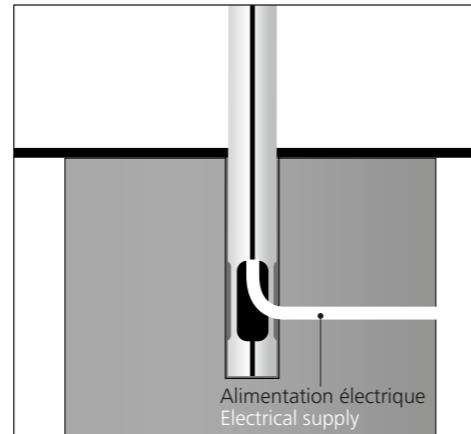
INSTALLATION

Préconisations d'installation des semelles, pour principaux types de mâts
Baseplate preconsised anchorage, for main types of masts

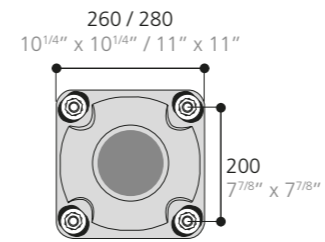
Configuration type d'une base de mât Typical configuration of a mast base



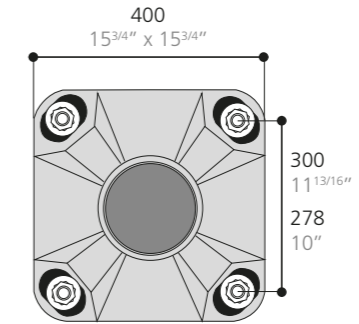
Variante avec mât enterré Variation with burried mast



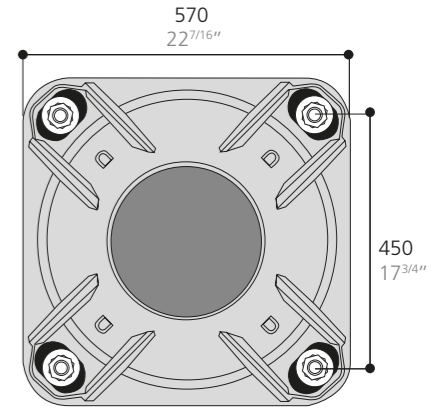
Principales semelles Main baseplates



- Semelle Entraxe 200 x 200 mm**
 . Tiges M18 x 400 mm, rondelles L18 Ø45 mm
 Base plate - Spacing 200 x 200 mm
 . M18 x 400 mm anchor bolts, L18 Ø45 mm washers
 (or 3/4" anchor bolts and washers)



- Semelle Entraxe 300 x 300 mm**
 . Tiges M24 x 500mm, rondelles L24 Ø60 mm
 Base plate - Spacing 300 x 300 mm
 . M24 x 500 mm anchor bolts, L24 Ø60 mm washers
 (or 1" anchor bolts and washers)



- Semelle Entraxe 450 x 450 mm**
 . Tiges M27 x 700 mm, rondelles L27 Ø65 mm
 Base plate - Spacing 450 x 450 mm
 . M27 x 500 mm anchor bolts, L27 Ø65 mm washers
 (or 1 1/4" anchor bolts and washers)

